



# Accent Light, Type 4

(SKU 94400130)

## Compatibility

- 1080 CF

## Bulb Type

- 35 Watt 120 Volt T4 Halogen Bulb (G6.35 Base)

## Installation



Make sure power to the heater has been turned off prior to installation (disable the breaker).



Do not connect 110-120 VAC to the gas control valve or the on/off circuit on this fireplace.

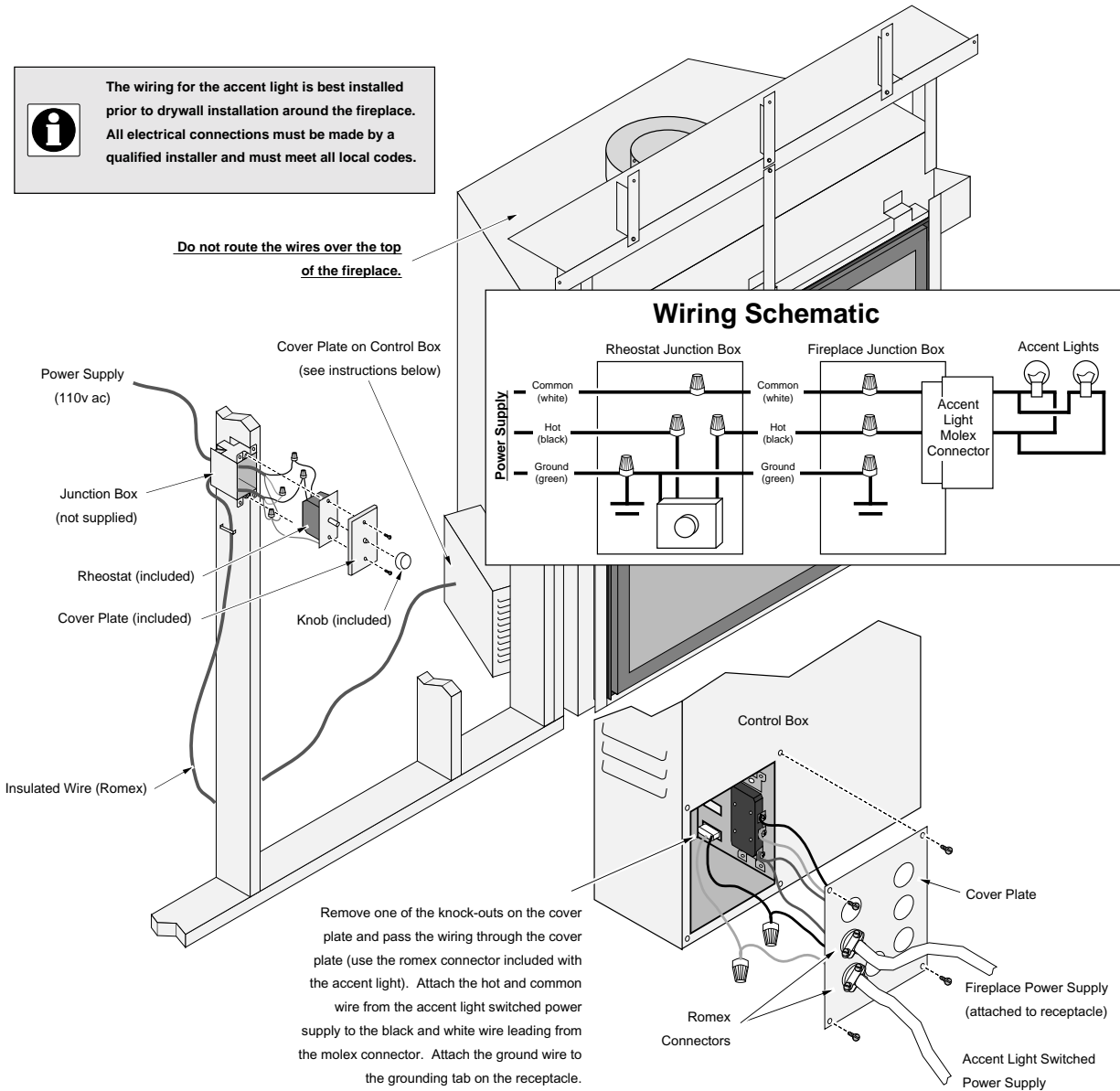
## Packing List

- Accent Light Assembly (with strain relief plates, wires)
- Rheostat Assembly (with cover plate, knob, screws)
- (3) Wire Nuts
- (2) T4 Halogen Bulbs
- Romex Connector

## Wiring the Accent Light to the Wall Rheostat – Required at Point of Installation

**i** The wiring for the accent light is best installed prior to drywall installation around the fireplace. All electrical connections must be made by a qualified installer and must meet all local codes.

Do not route the wires over the top of the fireplace.



Remove one of the knock-outs on the cover plate and pass the wiring through the cover plate (use the romex connector included with the accent light). Attach the hot and common wire from the accent light switched power supply to the black and white wire leading from the molex connector. Attach the ground wire to the grounding tab on the receptacle.



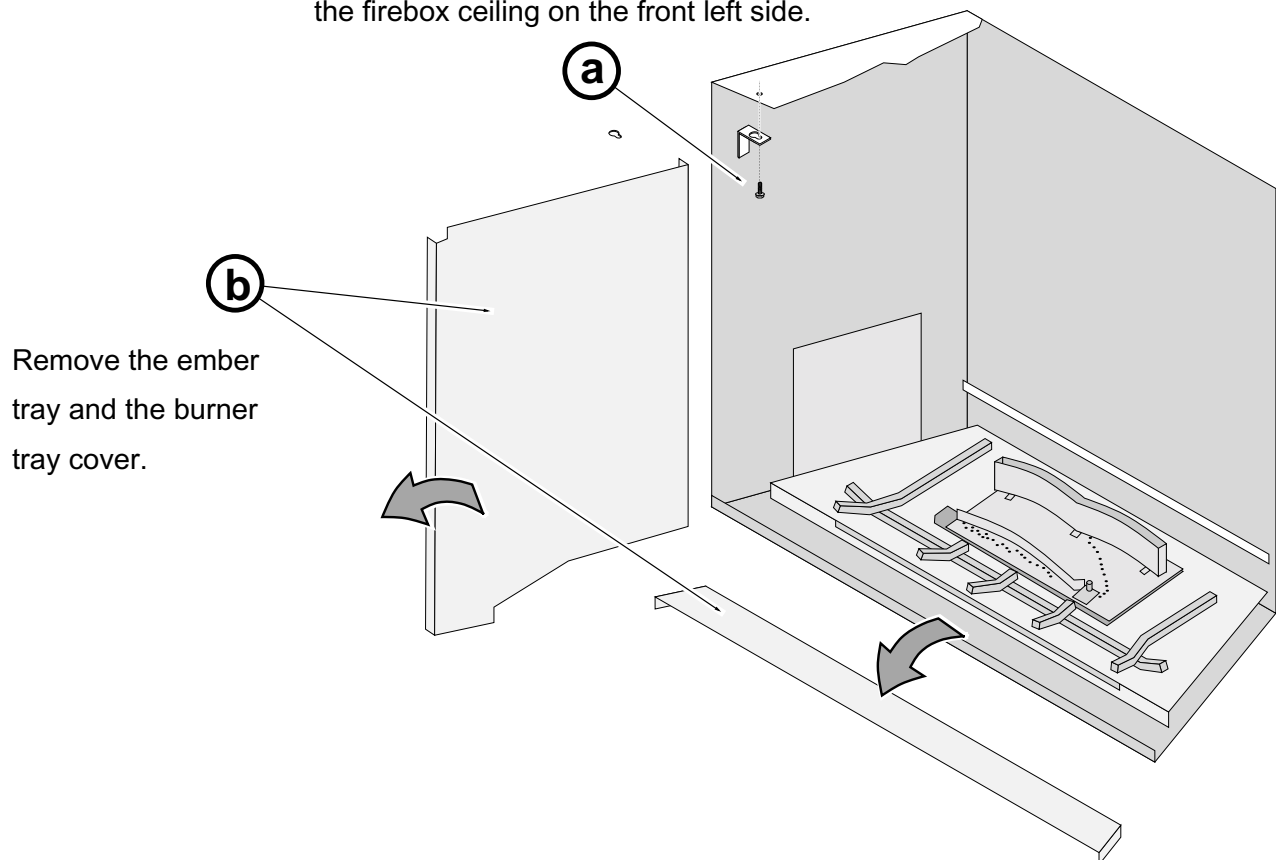
## Installation of Accent Light Inside Fireplace



Install the accent light prior to installing the firebacks or logs.

- 1 Remove the ember tray and burner tray cover following the directions below.

Loosen the screw and remove the clip located on the firebox ceiling on the front left side.





# Accent Light, Type 4

(SKU 94400130)

2 Remove the firebox floor following the directions below.

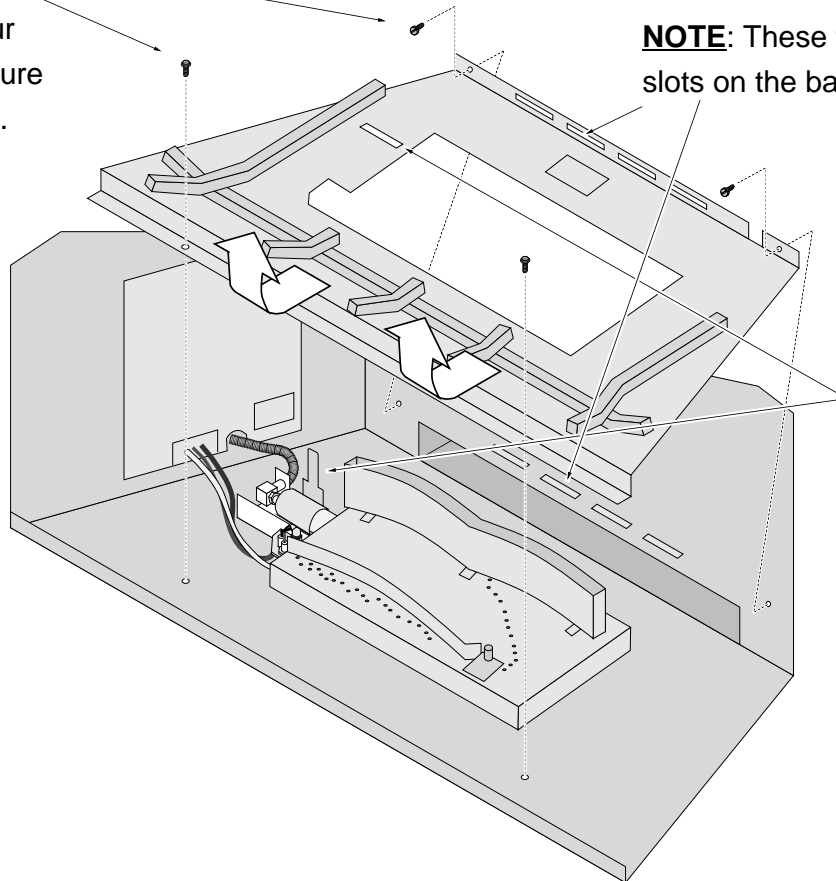
**a**

Remove the four screws that secure the firebox floor.

**b**

Tilt the front of the firebox floor upwards, slide it forward, and remove.

**NOTE:** These tabs insert into the slots on the back of the firebox floor.



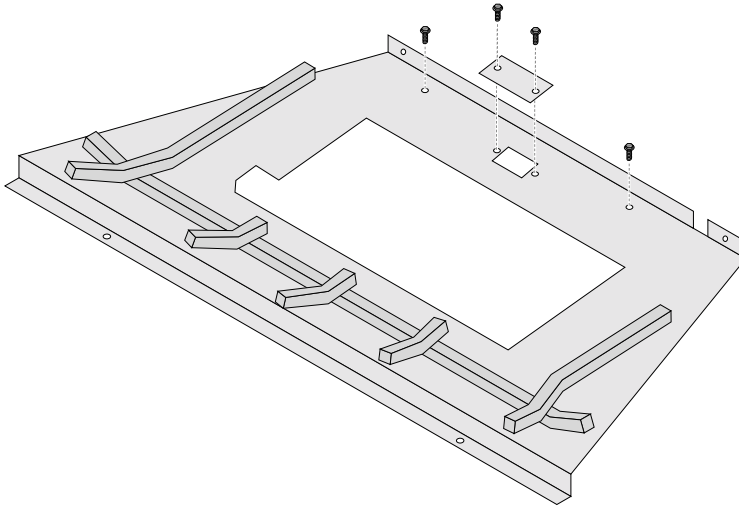
**NOTE:** The air shutter inserts through this slot. When re-attaching the floor, position the air shutter so it inserts through the slot.



## Accent Light, Type 4

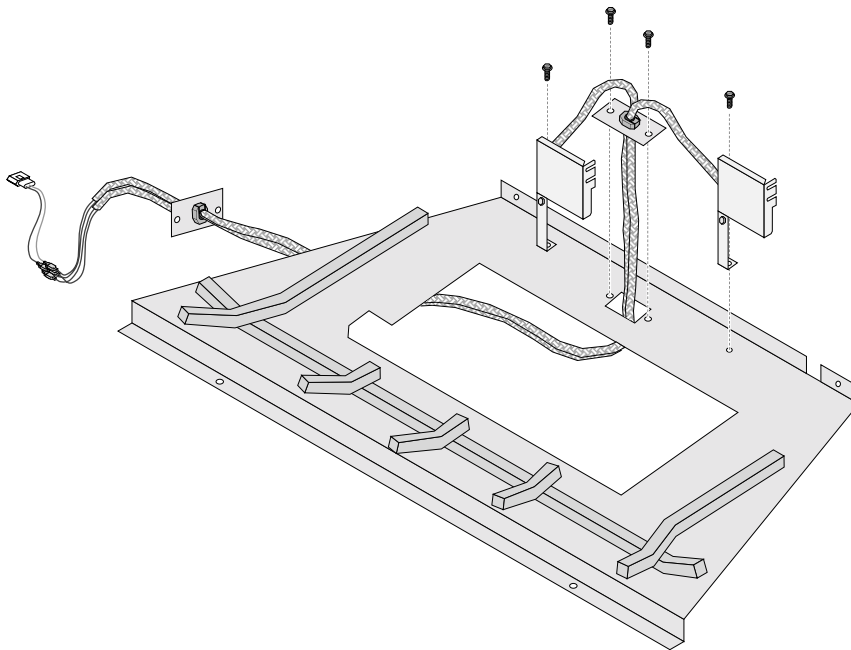
(SKU 94400130)

- 3 Attach the accent light assembly to the firebox floor following the directions below.



Remove the cover plate and two screws on the firebox floor. The cover plate may be discarded (keep the screws for accent light attachment).

Insert the wiring harness on the accent light through the firebox floor as shown.



Attach the accent lights and cover plate to the firebox floor.

After the light assemblies are attached, bend the light back so it is standing vertical and tighten the fasteners on the assembly.



# Accent Light, Type 4

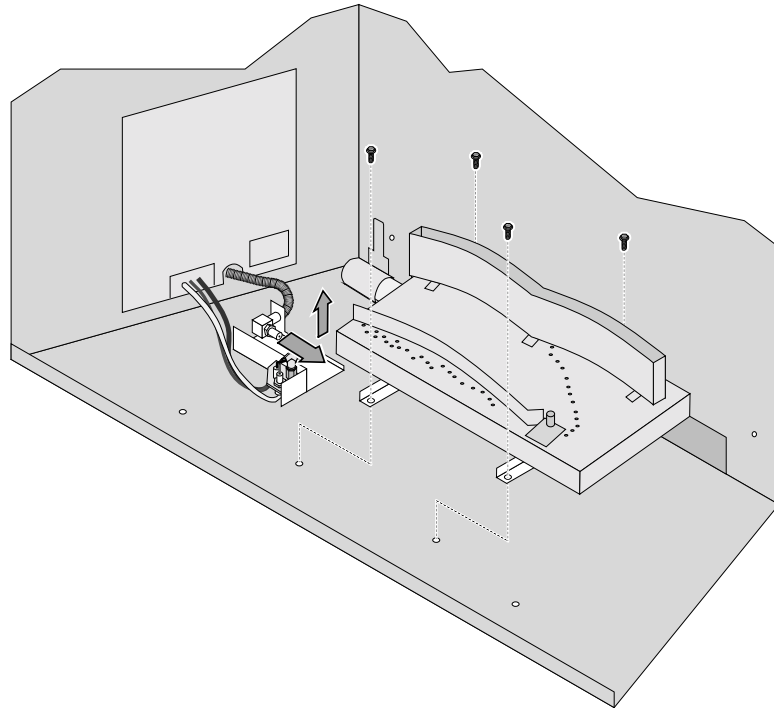
(SKU 94400130)

**NOTE:** if the unit is already installed, you may leave the burner and burner tray in place. Simply remove the cover plate (and gasket) and insert the wiring harness through the hole exposed by the cover plate removal. Remove the control cover on the left side of the fireplace and connect the moxex connectors together.

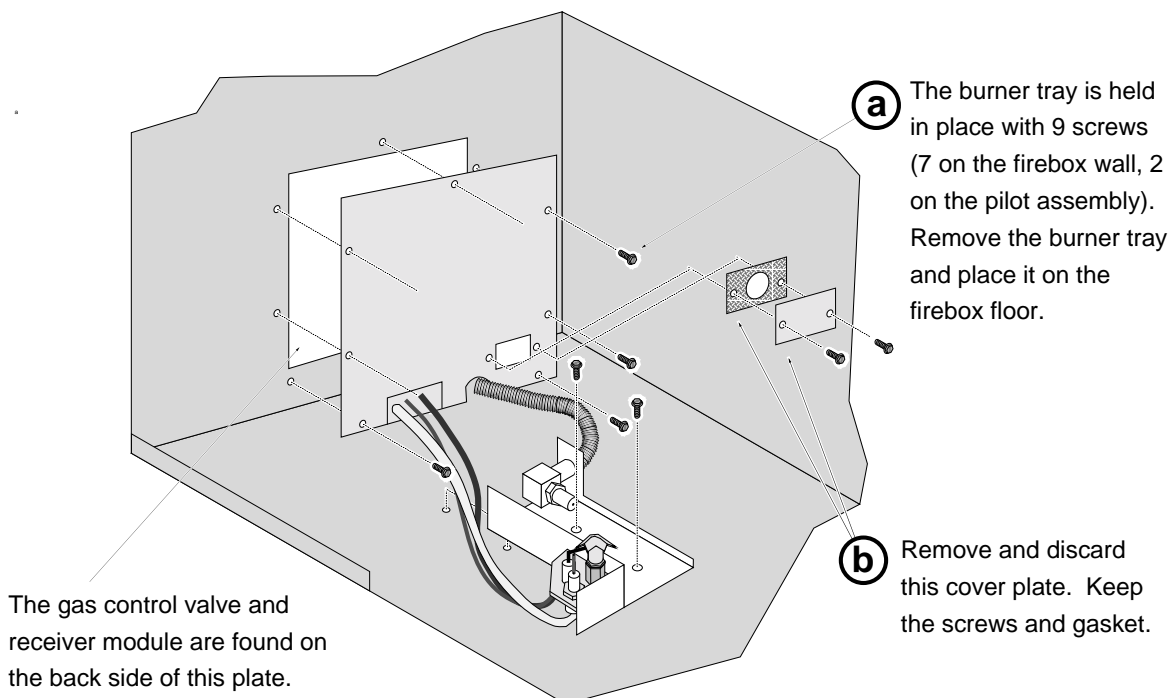
4 Remove the burner.

Remove the four screws securing the burner to the firebox floor.

Slide the burner to the right and up to remove.



5 Remove the burner tray and cover plate.

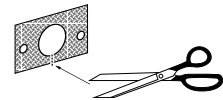
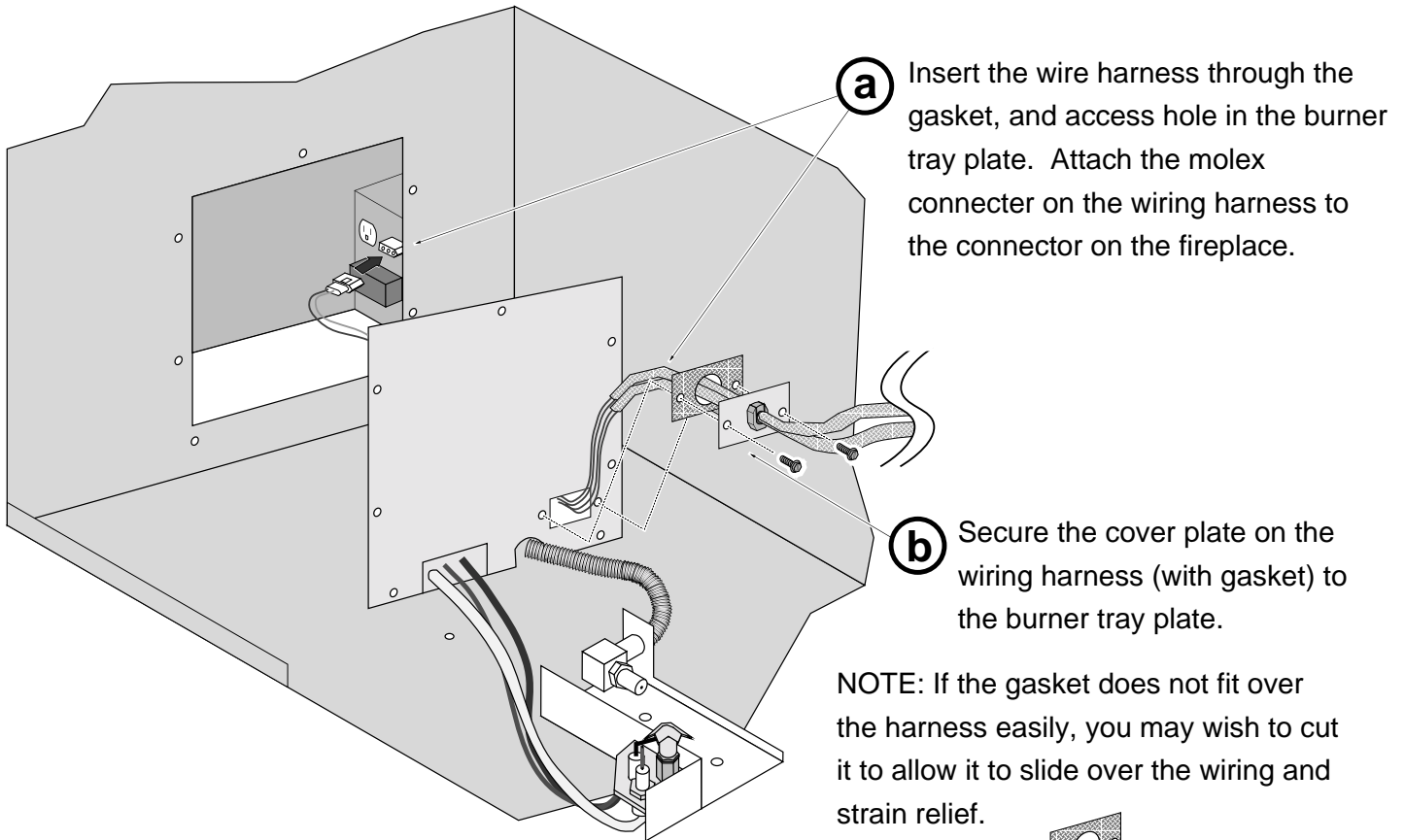




## Accent Light, Type 4

(SKU 94400130)

- 6 Install the accent light wiring harness to the burner tray plate following the directions below.



- 7 Re-attach the burner tray. Position the wires leading to the accent lights on the back edge of the fireplace floor. Replace the burner, left cover plate, and firebox floor, taking care to prevent damage to the accent light wires. Install the light bulbs, making sure you do not touch the bulbs (oil or other marks left on the bulb may lead to pre-mature bulb failure).
- 8 Restore the firebox to the correct configuration (replace the ember tray, etc.).



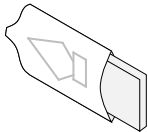
# Accent Light, Type 4

(SKU 94400130)

## Accent Light Operation

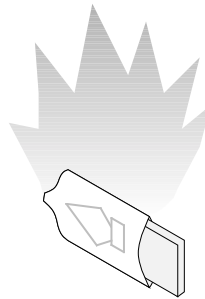
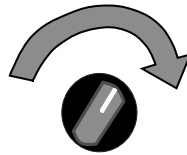
### OFF

Turn the dial all the way counter-clockwise until it clicks off.



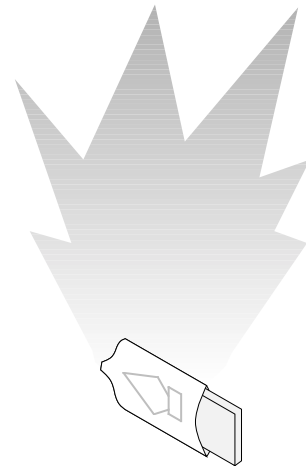
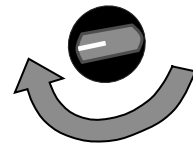
### LOW

Turn the dial 180° clockwise until the light begins to glow.



### HIGH

The high position is all the way clockwise.



**NOTE:** The accent light responds best when turned to high, then turned down to the desired light level.